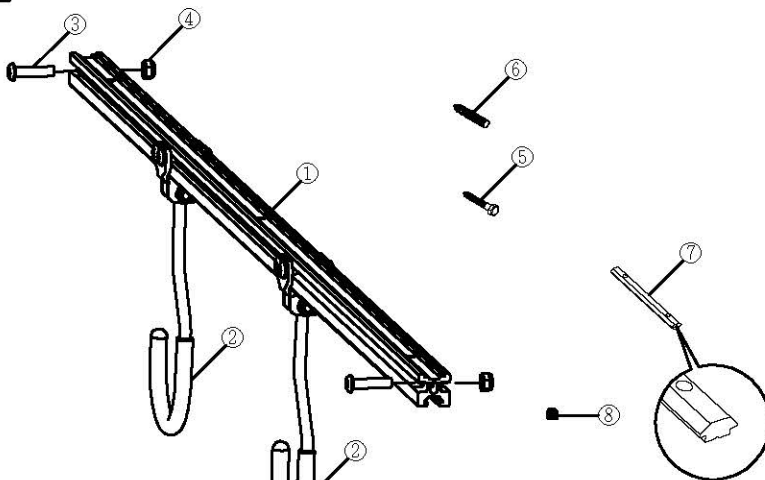


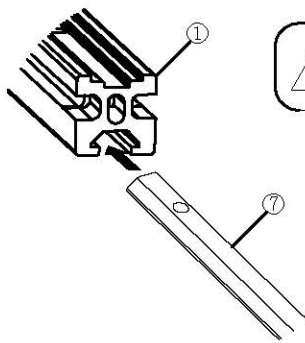
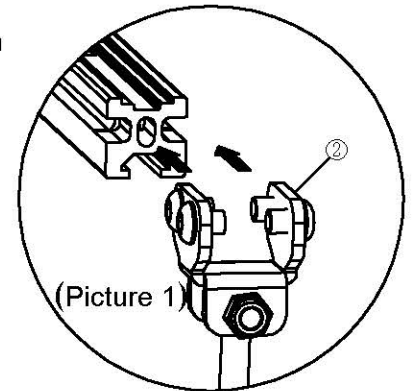
## 1 Parts description



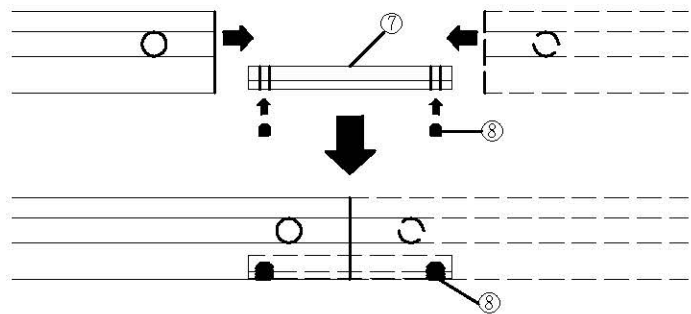
NO	PARTS	Q'TY
①	Mount	1
②	Slider hook	2
Screw kit A		
③	Bolt	2
④	Nut	2
⑤	Wood screw	3
⑥	Nylon anchor	3
Screw kit B		
⑦	Connector	1
⑧	Set screw	2

## 2 Assembly

1. Insert the slider hooks ② into the mount track. (see picture 1)
2. Screw the bolts ③ and nuts ④ as above picture.
3. Secure the mount ① on the wall or ceiling by wood screws ⑤ and nylon anchors ⑥.
4. Insert extra slider hooks (TB-1817A) (optional) for more capacities.
5. The product includes a piece of mount ①.  
Two or more sets of ceiling/wall bike slider mount can be connected for more capabilities as below instructions.
- 5-1. Set connector ⑦ in the center of two mounts ①. (see picture 2)
- 5-2. Screw the set screws ⑧ by 2 mm hex wrench (max torque 2 Nm).



The thread of connector ⑦ will be damaged if over-torqued



## 3 Instruction

1. Please follow this instruction to install the product, or it may cause collapse of the bike slider mount, injury and property damaged.
2. Please install the mount ① only on solid and flat wall or ceiling.
3. The maximum load of a slider hook ② is 20 kg (44 lbs).
4. The maximum load of a mount ① is 60 kg (132 lbs).
5. Check the stability of the mount ① regularly, at least once a month.

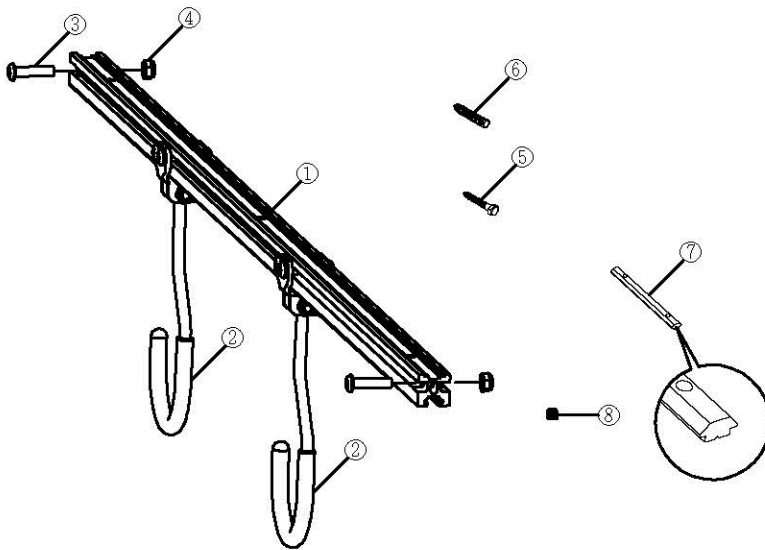
Attached wood screws ⑤ are only for screwing on wooden wall and nylon anchors ⑥ are for concrete wall

### LIMITATION OF LIABILITY

None of manufacturer, distributor or retailer shall be held liability for any claim of personal injury or property damage as a result of user crash, abuse, improper installation, overloading, product modification or poor quality of installation places.

Check the stability of the mount ① regularly to ensure the safety of bike storage

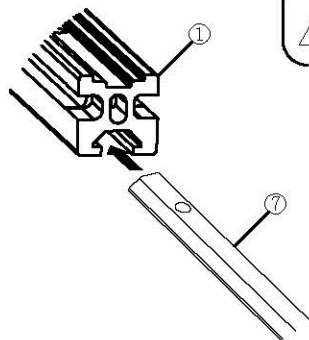
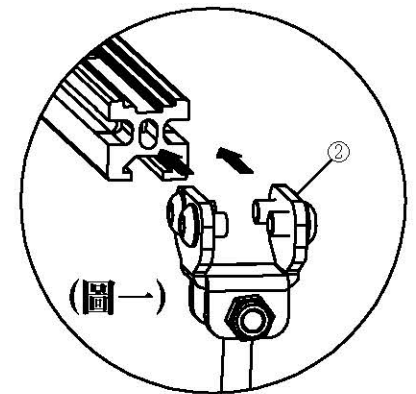
## 1 零件名稱及數量



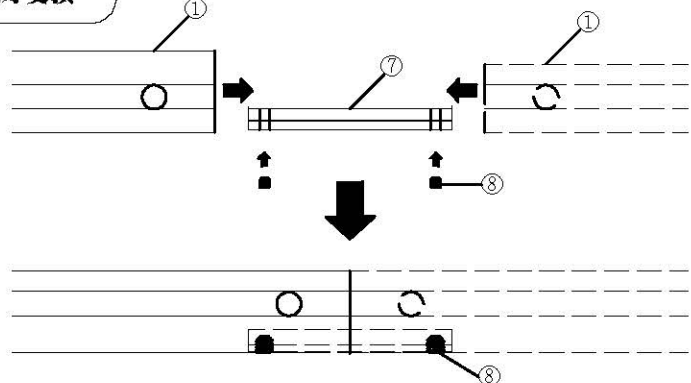
編號	名稱	數量
①	滑座	1
②	掛勾	2
螺絲包A		
③	螺栓	2
④	螺帽	2
⑤	木螺絲	3
⑥	尼龍釘套	3
螺絲包B		
⑦	連結座	1
⑧	止付螺絲	2

## 2 組裝步驟

- 將掛勾②與滑槽結合。(如圖一所示)
- 將螺栓③與螺帽④結合，如上圖所示。
- 使用木螺絲⑤與尼龍釘套⑥將滑座①安裝於牆面或天花板。
- 依使用需求，可安裝額外的掛勾(TB-1817A) (選購)。
- 本產品內含1個滑座①；可依需求連結更多的天花板/牆面置車滑座(TB-1817) (選購)。
  - 將連結座⑦置於滑座①中央。(如圖二所示)
  - 使用六角扳手 2 mm將止付螺絲⑧鎖入(最大扭力2 Nm)。



⚠ 超過扭力值，會導致連結座⑦螺牙受損



## 3 注意事項

- 請依照使用說明書操作以免發生自行車掉落，造成受傷和財物受損。
- 務必將滑座①鎖在堅固的牆壁及天花板上。
- 每個掛勾②最大承受重量為20公斤(44磅)。
- 滑座①最大承受重量為60公斤(132磅)。
- 定期檢查滑座①的穩固性，每月至少檢查一次。

⚠ 產品所附木螺絲⑤僅適用於木製牆壁，鎖固於水泥牆上時，務必搭配使用尼龍釘套⑥

### 責任歸屬

製造商、任意代理商或經銷商，對因消費者之碰撞、濫用、不當安裝、超過負載、變造產品或不適當的安裝場所而導致受傷或財物受損，不負相關責任。

⚠ 必須定期檢查滑座①的穩固性，以確保存放自行車的安全