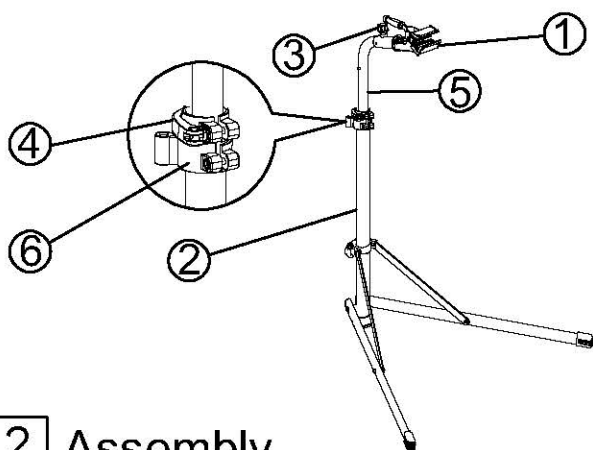


1 Parts description



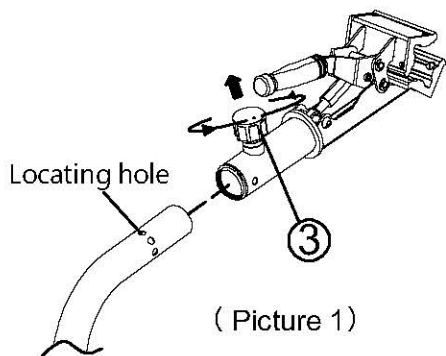
Visit operation detail at Super B
Website: <http://www.superbiketool.com/>,
Click Product ➔ Work stands ➔ 2. ➔ TB-WS50

NO.	PART	Q'TY
①	Clamp	1
②	Main structure	1
③	Locking knob	1
④	Quick release	1
⑤	Top tube	1
⑥	Extension collar	1

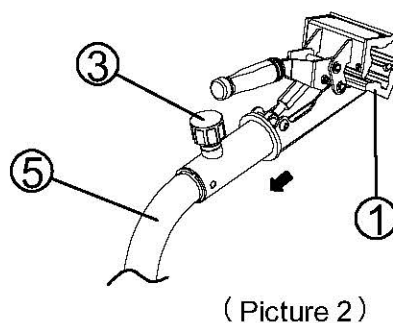
⚠ Please prepare: 5mm hex wrench x1

2 Assembly

⚠ Max load 50kgs, suits for heavy bikes and E-bikes

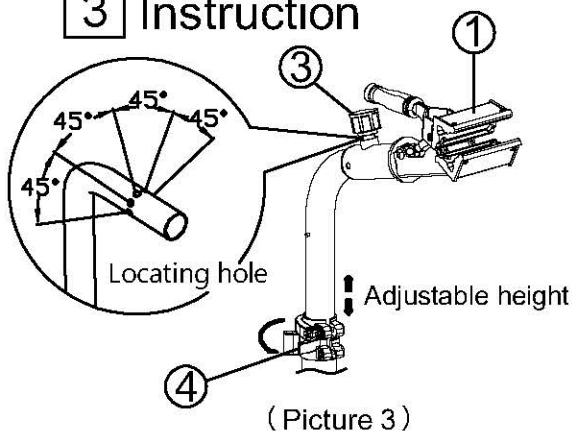


1. Release and pull the locking knob ③ up. (see picture 1)

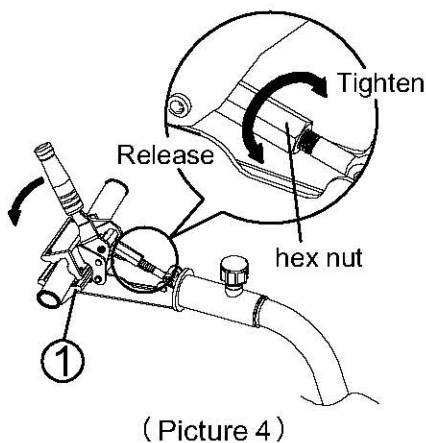


2. Assemble the clamp ① on the top tube ⑤ and push it until the locking knob ③ located at locating hole. (see picture 2)

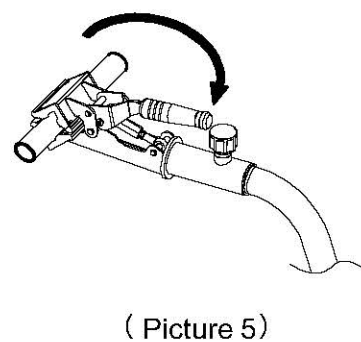
3 Instruction



1. Release the quick release ④, adjust the desired height of work stand then secure the quick release ④, pull up the locking knob ③, choose the desired locking place, make locking knob ③ to fix in the locating hole and tighten locking knob ③ to set the direction of clamp ①. (see picture 3)



2. Pull the handle up to open the clamp ①, put the tube/frame into the clamp ① then turn the hex nut to adjust the opening of clamp ① to secure the tube/frame. (see picture 4)

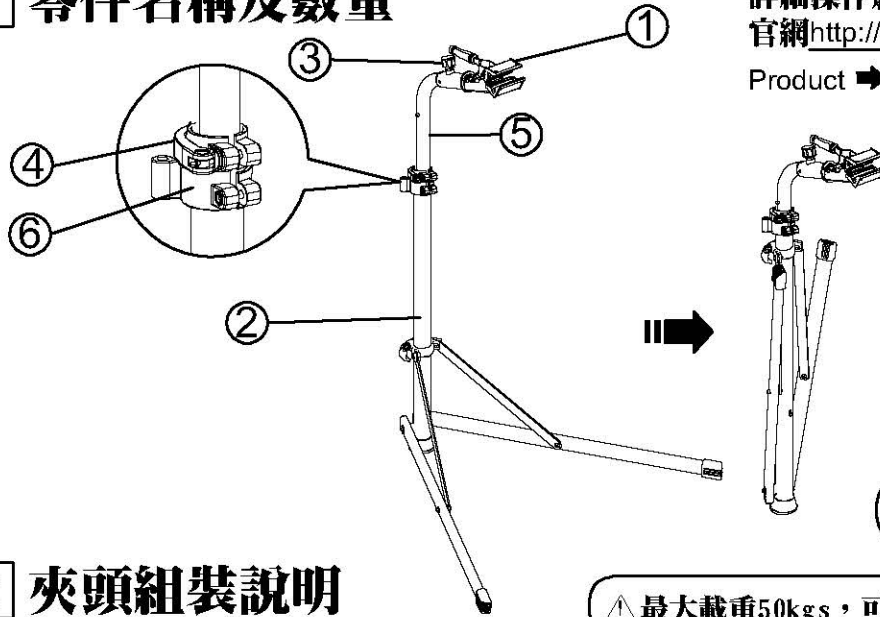


3. Secure the tube/frame by push the handle back. (see picture 5)

⚠ Note

1. Please do not over tighten the clamp to avoid the damage of tube/frame. For thin or carbon frame, please contact manufacturer of component before using.
2. To prevent damaging the frame or seat tube, please clean the frame before fasten clamp.
3. Ensure to locate the locking knob to locating hole before using.

1 零件名稱及數量



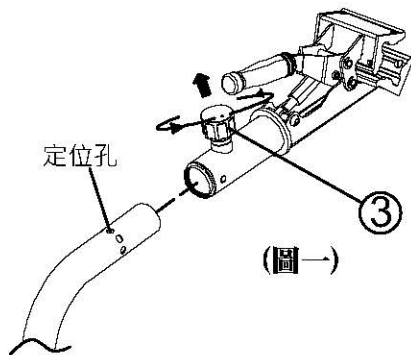
詳細操作影片請至Super B
官網<http://www.superbiketool.com/>觀看，點擊
Product ➔ Work stands ➔ 2. ➔ TB-WS50

項次	名稱	數量
①	夾頭	1
②	主體	1
③	拉銷旋鈕	1
④	快拆	1
⑤	上管	1
⑥	管束	1

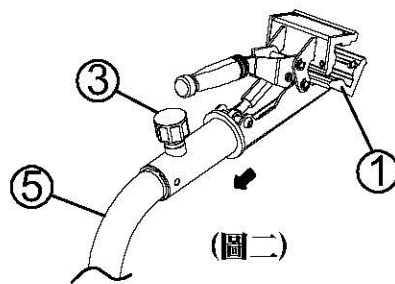
⚠自備品項: 5mm六角扳手x1

2 夾頭組裝說明

⚠最大載重50kgs，可承載重型車架，適用電動車

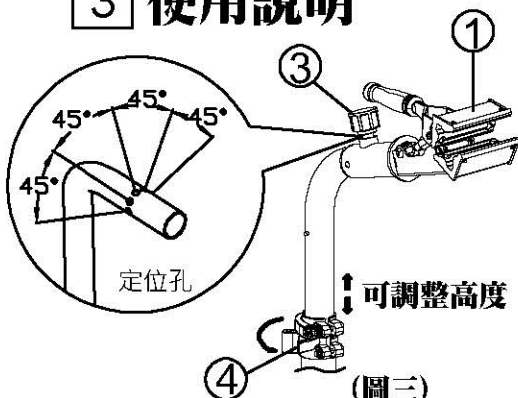


1. 將拉銷旋鈕③轉鬆後拉起。
(如圖一)

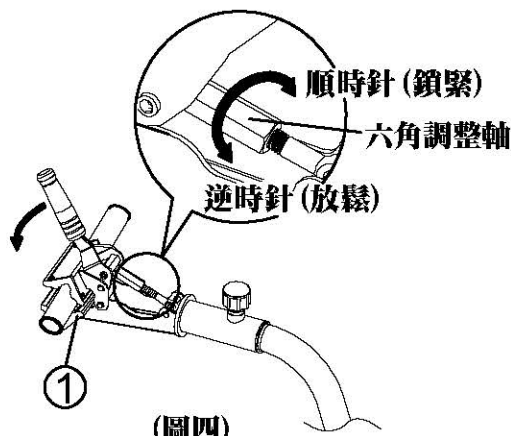


2. 將夾頭①裝上上管⑤，並往後推至拉銷旋鈕③之卡樁卡住定位孔。(如圖二)

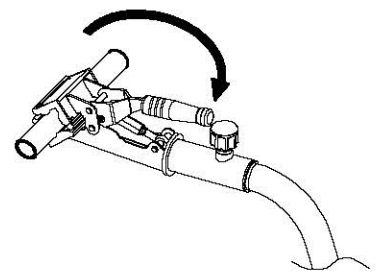
3 使用說明



1. 放鬆快拆④，調整修車架至適當高度後扣緊快拆④以固定高度。拉起拉銷旋鈕③選擇適當定位孔後，使拉銷旋鈕③彈回定位孔，並轉緊拉銷旋鈕③以固定夾頭①角度。(如圖三)



2. 上拉握把打開夾頭①，將車管放入夾頭①開口，轉動六角調整軸使夾頭①呈適當大小(如圖四)



3. 將握把下壓以固定車管。(如圖五)

⚠ 注意

1. 開始進行工作前，需夾緊車管，請自行衡量夾頭緊度，避免過度迫緊造成管壁薄或碳纖維車架損壞。
2. 鎖緊夾頭前請先清理車架，以避免車架或座管受損。
3. 使用前務必將拉銷旋鈕卡入定位孔。