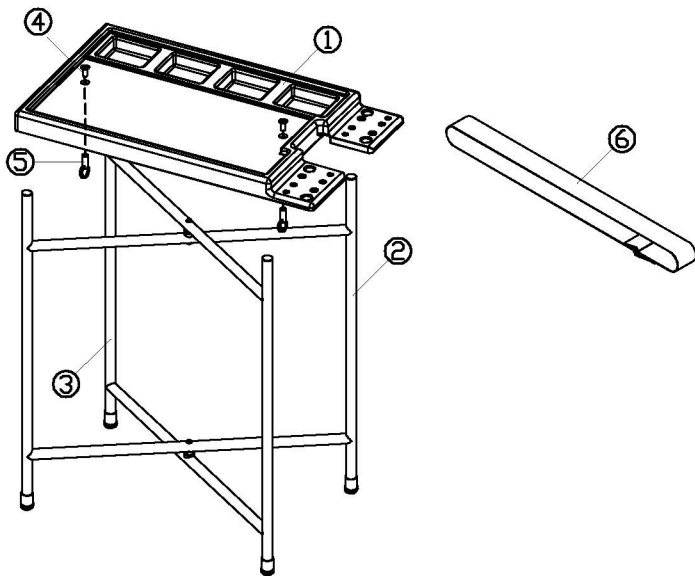


1 Parts description



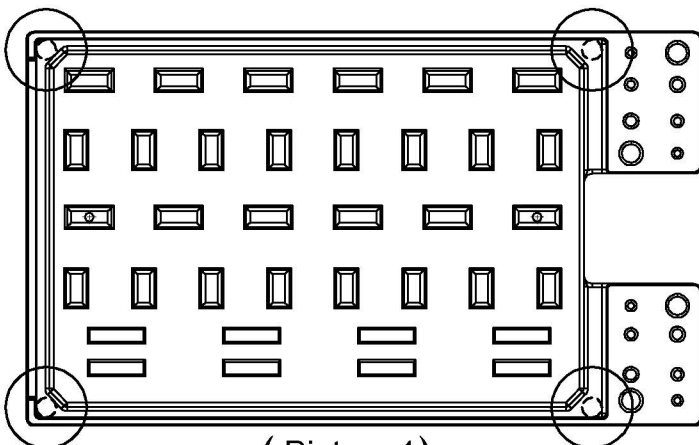
NO.	PART	Q'TY
①	Tray	1
②	Upper base	1
③	Lower base	1
④	Flat head screw	2
⑤	Fastener	2
⑥	Velcro strap	1

2 Assembly

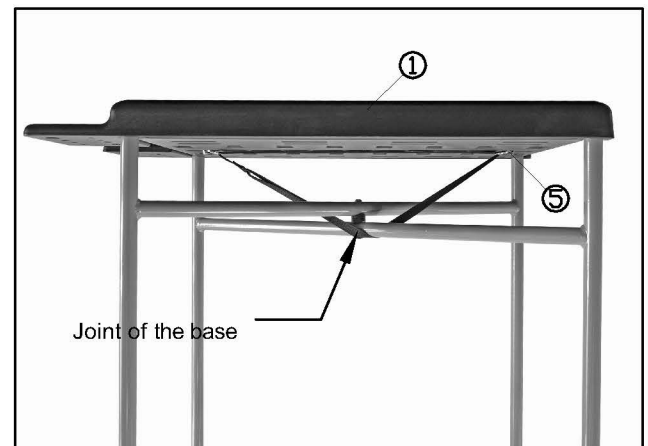
1. Unfold the base ②③ and combine it with the tray ① according to the corners of the tray by adjusting the base and make sure they fit perfectly. (see picture 1)
2. Put the flat head screw ④ through the tray ① and screw it on the fastener ⑤.
3. Put the velcro strap ⑥ through the ring on the fastener ⑤ and make sure the velcro strap ⑥ is under the joint of the base and firmly fastened. (see picture 2)

3 Instruction

1. Set up the workbench on flat floor.
2. Maximum load : 50kg.

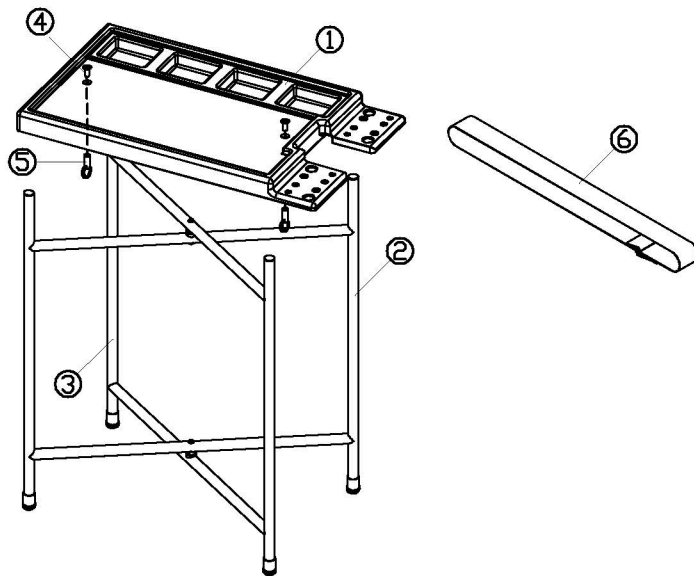


(Picture 1)



(Picture 2)

1 零件明細



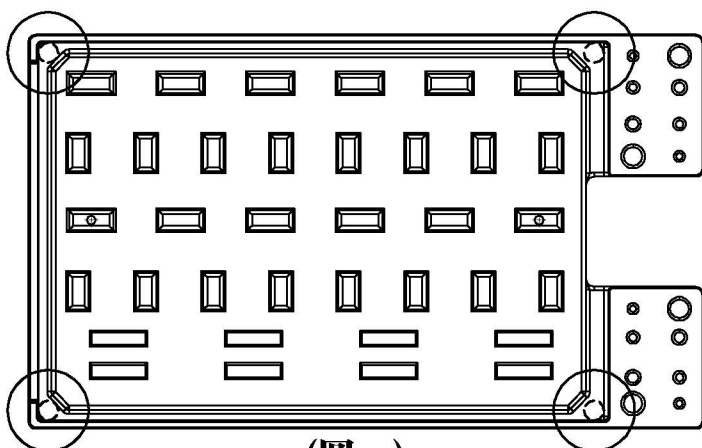
編號	名稱	數量
①	膠盤	1
②	上腳架	1
③	下腳架	1
④	皿型螺絲	2
⑤	固定栓	2
⑥	黏扣帶	1

2 組裝步驟

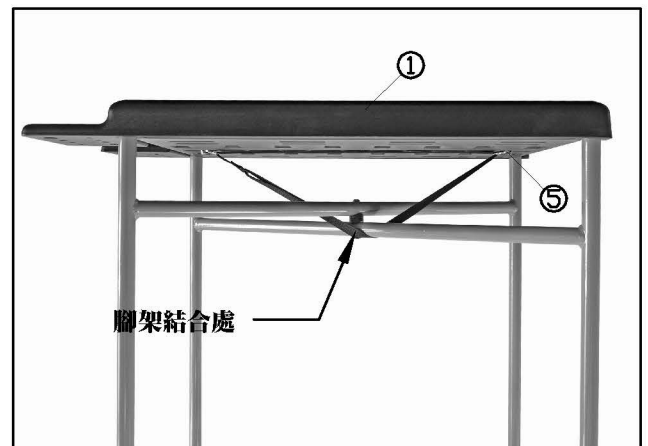
1. 調整腳架張開寬度，確認腳架對準膠盤①底部的四個角落後，將膠盤放置於腳架上。(如圖一所示)
2. 將皿型螺絲④由膠盤上方穿過膠盤①上的孔位，鎖進膠盤下方的固定栓⑤。
3. 將黏扣帶⑥穿過固定栓⑤上的環，以及上下腳架結合處，並確實地束緊。(如圖二所示)

3 使用說明

1. 請將工作桌置於平穩的地面上。
2. 最大承重50公斤。



(圖一)



(圖二)