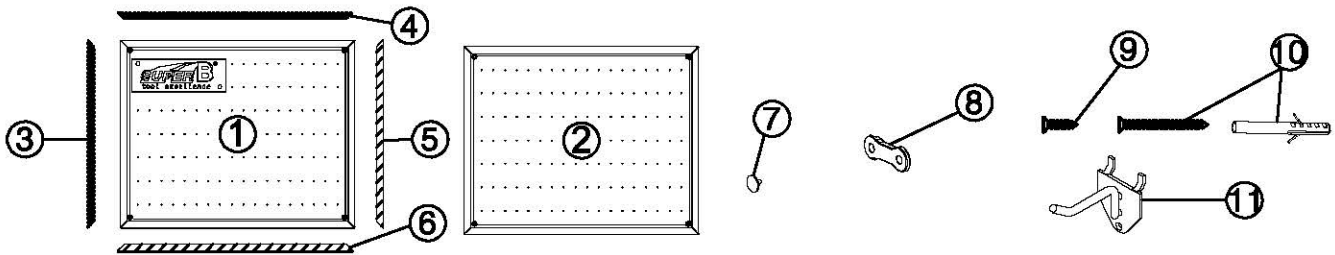
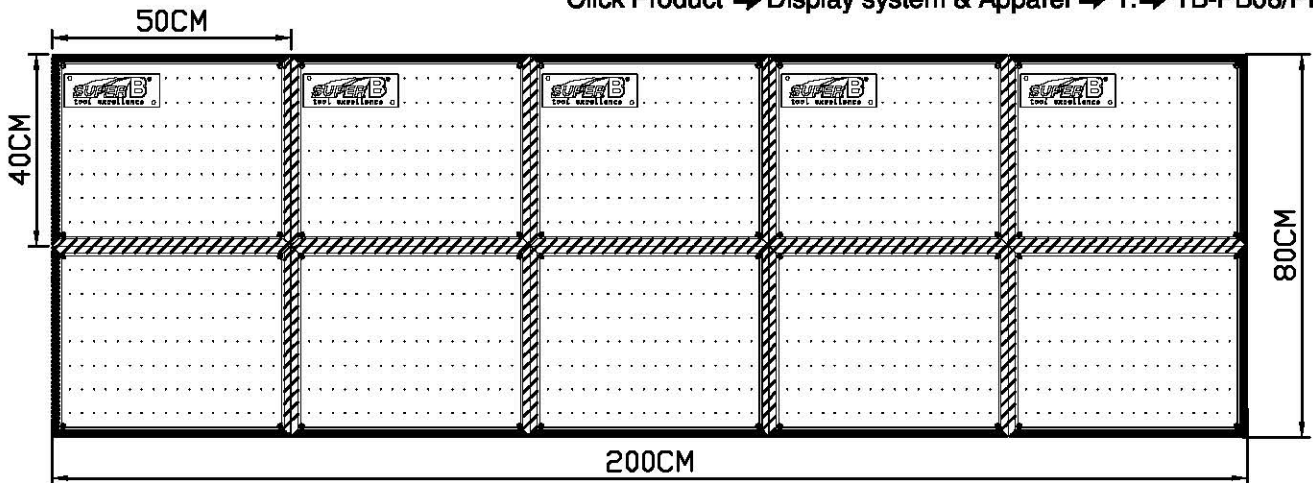


1 Parts description

Visit operation detail at Super B

Website: <http://www.superbiketool.com/>,

Click Product → Display system & Apparel → 1. → TB-PB08/PB10

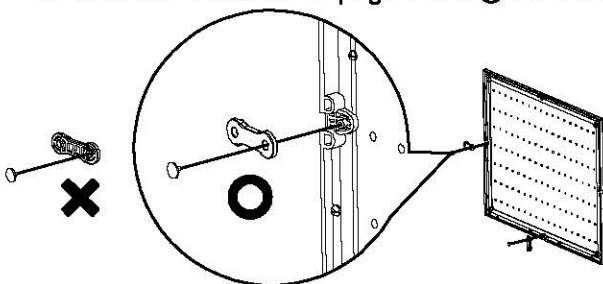


NO.	PART	Q'TY							
		TB-PB08	TB-PB08-1	TB-PB10	TB-PB10-1	TB-PB08H	TB-PB08-1H	TB-PB10H	TB-PB10-1H
①	Pegboard -A	4	4	5	5	4	4	5	5
②	Pegboard -B	4	4	5	5	4	4	5	5
③	Orange sidebar - short	4	4	4	4	4	4	4	4
④	Orange sidebar - long	8	8	10	10	8	8	10	10
⑤	Black sidebar - short	12	12	16	16	12	12	16	16
⑥	Black sidebar - long	8	8	10	10	8	8	10	10
⑦	Pin	10	10	13	13	10	10	13	13
⑧	Connector	10	10	13	13	10	10	13	13
⑨	Screw 1/4"X19L (for wooden wall)	32	--	40	--	32	--	40	--
⑩	Screw 1/4"X50L with nylon nail anchor (for concref wall)	--	32	--	40	--	32	--	40
⑪	Hook 5cm	--	--	--	--	80	80	100	100

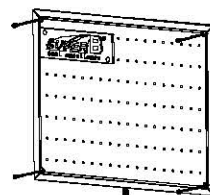
2 Assembly

1. Attach the connector ⑧ and plug the pin ⑦ into the back of pegboard A ① (see picture 1) .

2. Position and screw the pegboard A ① on the wall. (see picture 2) .

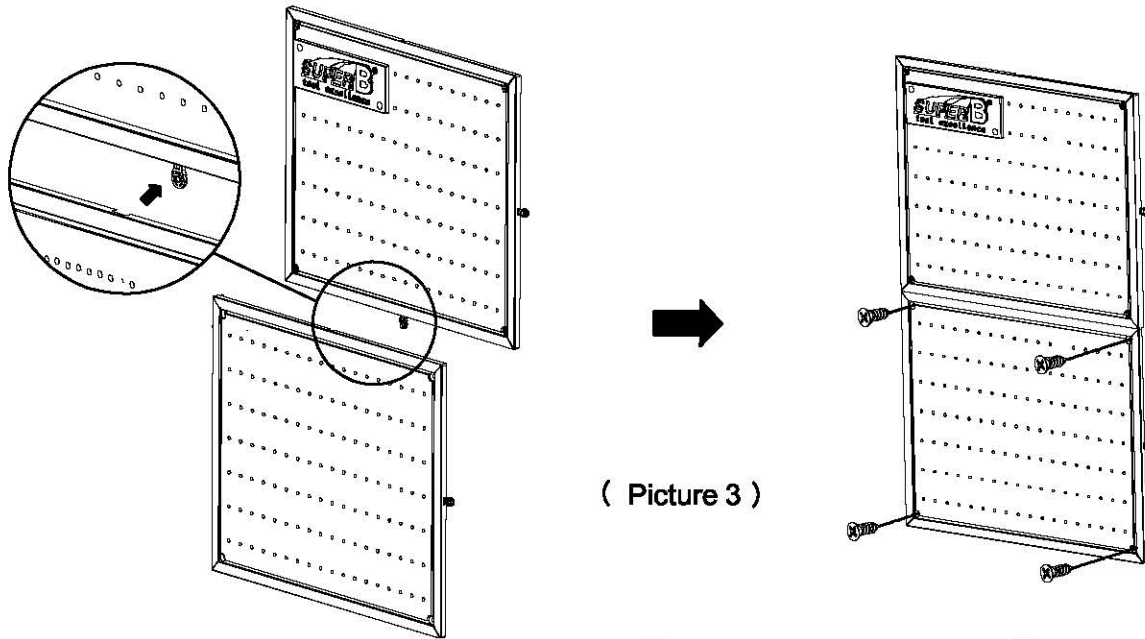


(Picture 1)



(Picture 2)

⚠ Ensure to attach the connector and pin before the pegboard is mounted on the wall.

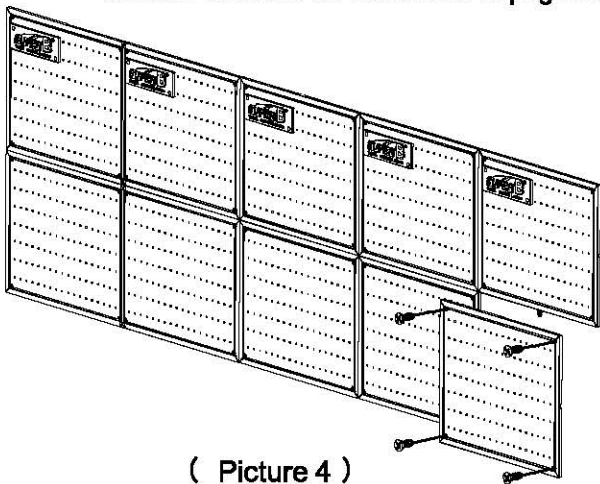


(Picture 3)

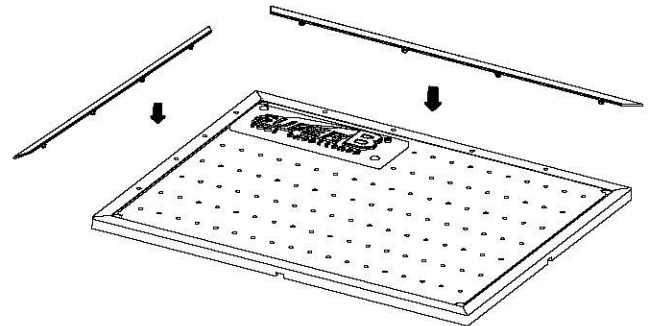
3. Attach the connector ⑧ and plug the pin ⑦ into the back of pegboard B ②, then screw on the wall.
(see picture 3)

4. Follow steps 1-3 until all pegboards are mounted on the wall. (as picture 4)

5. Install sidebars on the outline of pegboard as picture 5, until finish. (as picture 6)



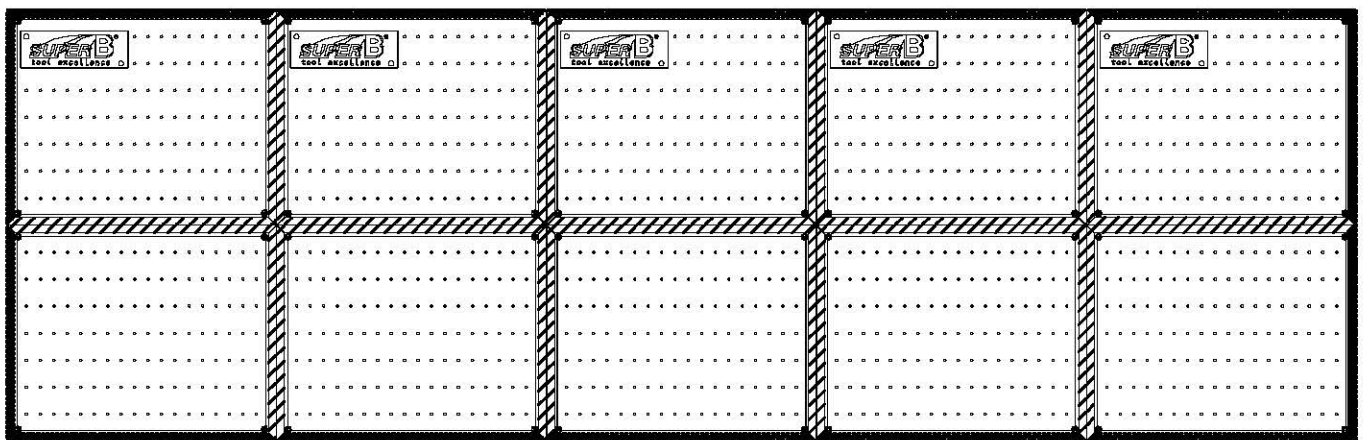
(Picture 4)



(Picture 5)

Black

Orange



(Picture 6)

⚠ NOTICE

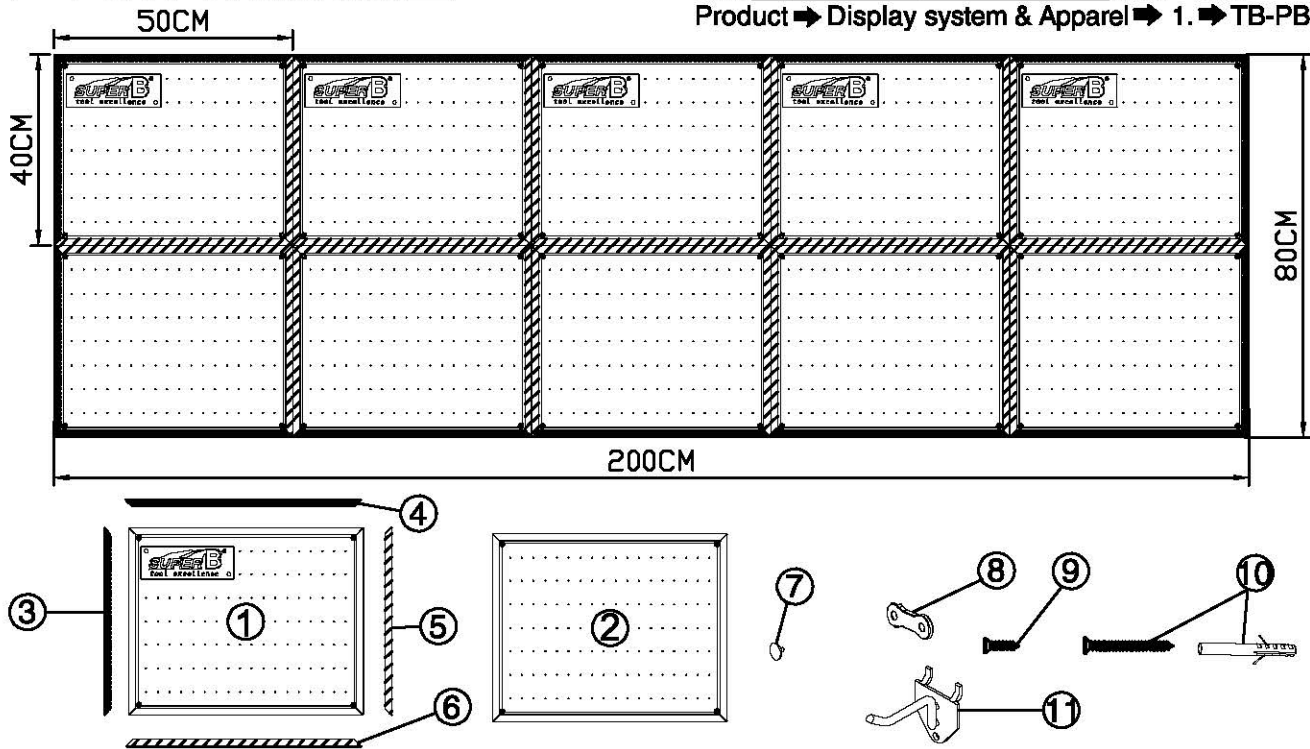
1. Do not display or store the object more than 10kgs/pegboard; otherwise, the pegboard may get damaged or product fallen from the pegboard.
Maximum loading of each pegboard is 10kgs.
Maximum loading of Super B optional hooks is 5kgs/hook.
2. Please ensure the pegboard is well secured on the wall before using.
3. Contact our local dealer and distributor for spare parts of hooks (TB-HKS80/TB-HKS100).

1 零件名稱及數量

詳細操作影片請至Super B

官網<http://www.superbiketool.com/>觀看，點擊

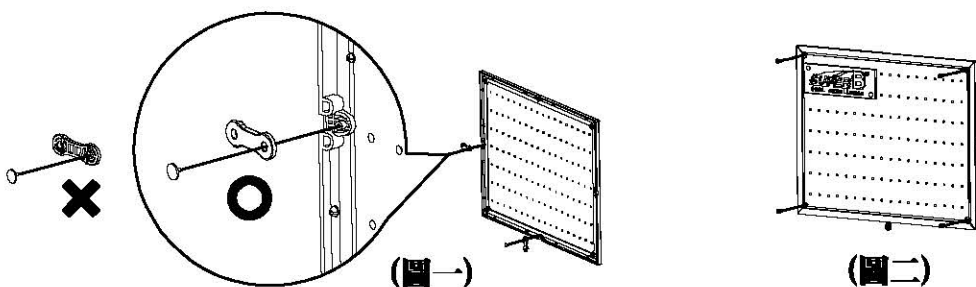
Product → Display system & Apparel → 1. → TB-PB08/PB10



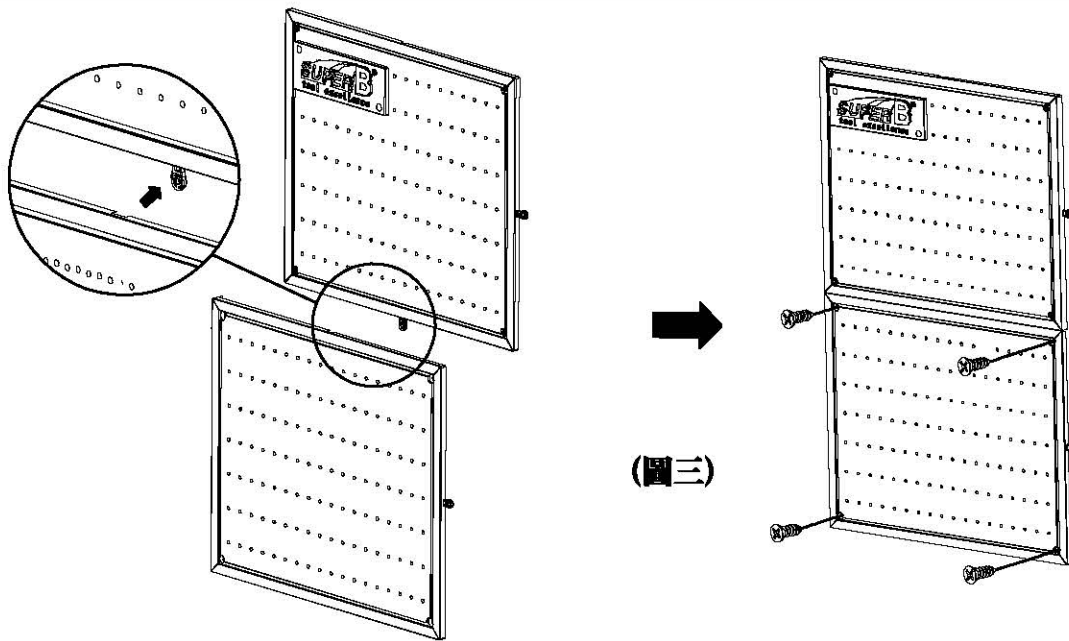
項次	名稱	數量							
		TB-PB08	TB-PB08-1	TB-PB10	TB-PB10-1	TB-PB08H	TB-PB08-1H	TB-PB10H	TB-PB10-1H
①	上展示板	4	4	5	5	4	4	5	5
②	下展示板	4	4	5	5	4	4	5	5
③	橋邊條-短	4	4	4	4	4	4	4	4
④	橋邊條-長	8	8	10	10	8	8	10	10
⑤	黑邊條-短	12	12	16	16	12	12	16	16
⑥	黑邊條-長	8	8	10	10	8	8	10	10
⑦	插梢	10	10	13	13	10	10	13	13
⑧	連結塊	10	10	13	13	10	10	13	13
⑨	螺絲1/4"X19L (用於木製牆面)	32	--	40	--	32	--	40	--
⑩	螺絲1/4"X50L + 塑膠壁虎 (用於水泥牆面)	--	32	--	40	--	32	--	40
⑪	掛勾5cm	--	--	--	--	80	80	100	100

2 組裝說明

1. 安裝連接塊 ⑧ 與插梢 ⑦ 於上展示板 ① 背面，如圖一。
2. 再鎖上螺絲於牆面，如圖二。

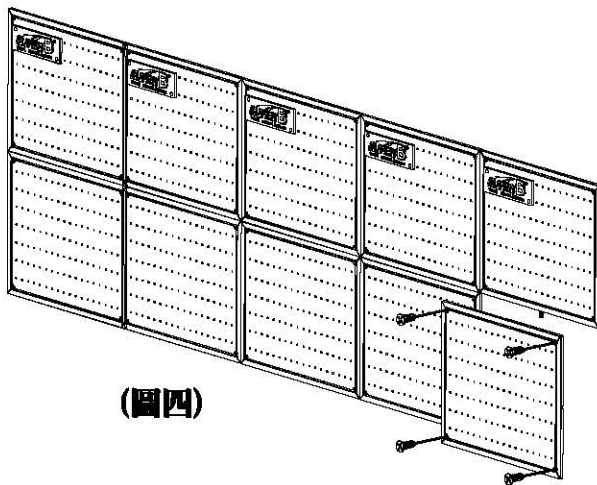


⚠ 洞洞板在鎖固於牆面之前，務必先組上連接塊及插梢。

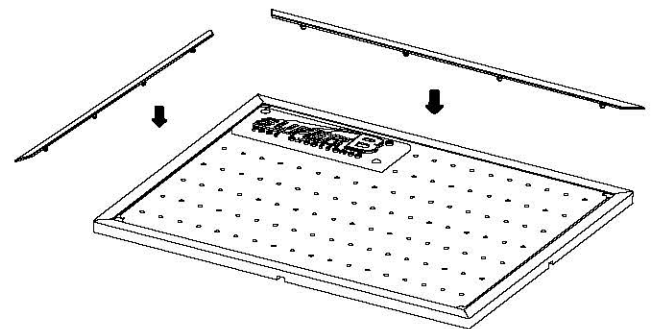


(圖三)

3. 安裝連接塊 ⑧ 與插梢 ⑦ 於下展示板 ② 背面，再鎖螺絲於牆面，如圖三。
4. 重覆 1-3 步驟安裝上展示板 ① 與下展示板 ②，直至完成，如圖四。
5. 分別組裝橘/黑邊條依圖五，直至完成如圖六。

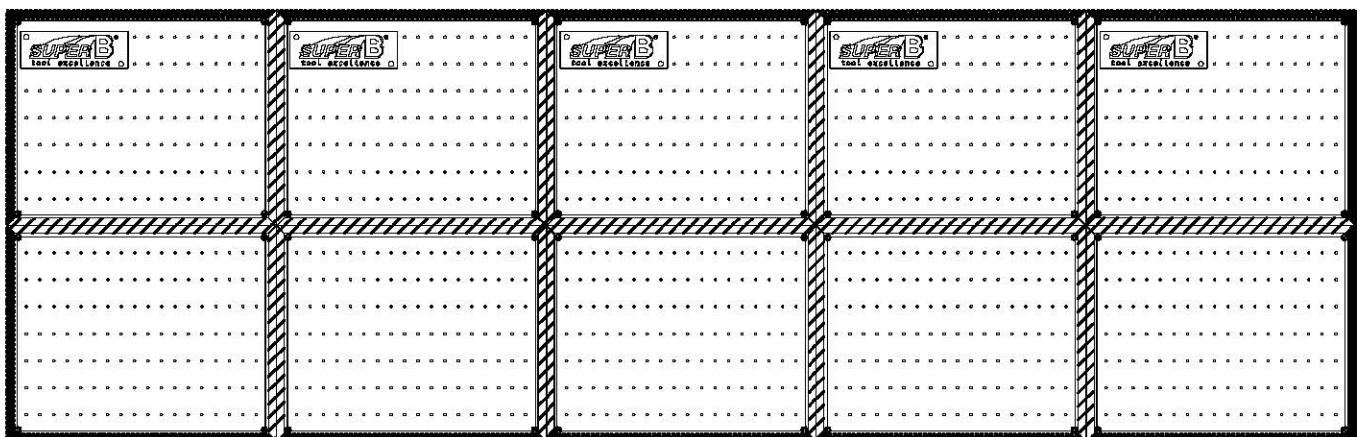


(圖四)



(圖五)

黑  橘 



(圖六)

⚠ 注意

1. 每片展示板的最大載重為10kg，而選配之掛勾(TB-HKS80/TB-HKS100)，每個掛勾最大載重為5kg。請勿吊掛超過最大載重限制，避免展示板損壞或產品掉落。
2. 展示板使用前，務必確實鎖固在堅固的牆面上。
3. 掛勾為選配零件，若仍有需求，請連絡當地經銷/代理商。